

# Knob & Lever



**Whitco**<sup>®</sup>  
SECURING YOUR HOME™

**10YEAR** MECHANICAL  
WARRANTY

[whitco.com.au](http://whitco.com.au)

# Contents



**Ball Series Knob  
Furniture**

**page 3**



**Bell Series Knob  
Furniture**

**page 4**



**Bow Series Lever  
Furniture**

**page 5**



**Bevel Series Lever  
Furniture**

**page 6**

# Ball Series Knob Furniture

## Application / Description

The Ball series knob door furniture is designed for use with hinged timber doors to suit entrance, passage, privacy (bathroom) and dummy (wardrobe) functions.

## Features and Specifications

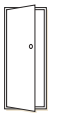
- Tubular lockset with steel chassis
- Visible screw fix mounting
- Suits either left or right handed hinged doors
- Latch is adjustable from 60 mm to 70 mm backset
- D strike has anti rattle tab
- Easy to install with mounting instructions in the pack
- Suits door thicknesses from 32 mm to 45 mm

## Keying

- Entrance sets are available as random keyed alike by 4
- Standard C4 keyway
- Construction keying available



Timber



External Hinged

## Standard Plated Finishes

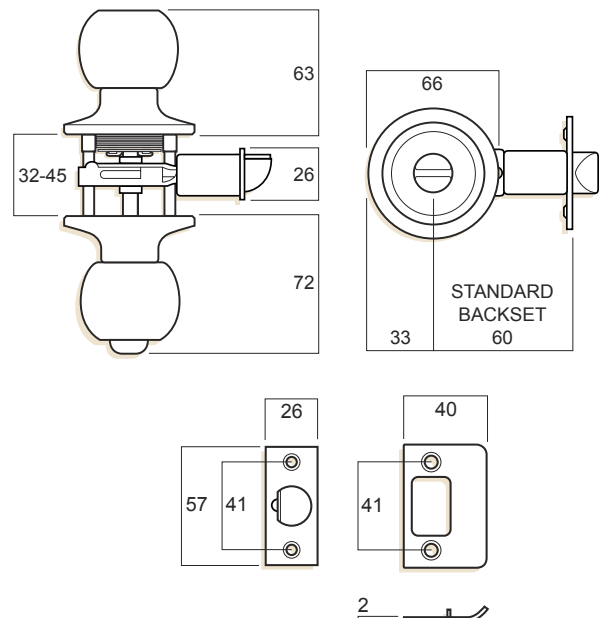
Stainless Steel	04
Polished Stainless Steel	27

## Ordering

### Trade Pack

Entrance	W7134••
Passage	W7132••
Privacy	W7133••
Dummy	W7119••

•• Denotes finish. See price list for available pack / finish combinations.



# Bell Series Knob Furniture

## Application / Description

The Bell knob series door furniture is designed for use with hinged timber doors to suit entrance, passage, privacy (bathroom) and dummy (wardrobe) functions.

## Features and Specifications

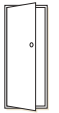
- Tubular lockset with steel chassis
- Visible screw fix mounting
- Suits either left or right handed hinged doors
- Latch is adjustable from 60 mm to 70 mm backset
- D strike has anti rattle tab
- Easy to install with mounting instructions in the pack
- Suits door thicknesses from 32 mm to 45 mm

## Keying

- Entrance sets are available as random keyed alike by 4
- Standard C4 keyway
- Construction keying available



Timber



External Hinged

## Standard Plated Finishes

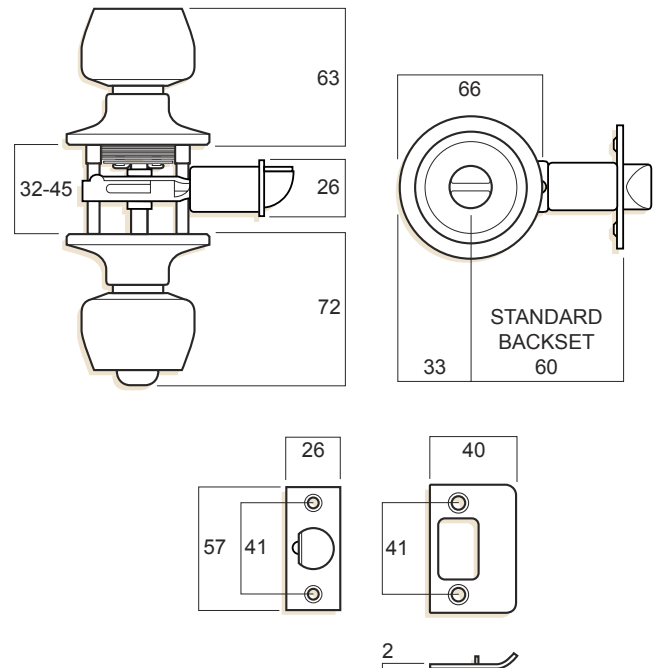
Stainless Steel	04
Polished Stainless Steel	27

## Ordering

### Trade Pack

Entrance	W7141••
Passage	W7142••
Privacy	W7143••
Dummy	W7149••

•• Denotes finish. See price list for available pack / finish combinations.



# Bow Series Lever Furniture

## Application / Description

The Bow series lever furniture is designed for use with hinged timber doors to suit entrance, passage, privacy (bathroom) and dummy (wardrobe) functions.

## Features and Specifications

- Tubular lockset with steel chassis and diecast plated lever
- Visible screw fix mounting
- Suits either left or right handed hinged doors
- Latch is adjustable from 60 mm to 70 mm backset
- D strike has anti rattle tab
- Easy to install with mounting instructions in the pack
- Suits door thicknesses from 32 mm to 45 mm

## Keying

- Entrance sets are available as random keyed alike by 4
- Standard C4 keyway
- Construction keying available

## Standard Plated Finishes

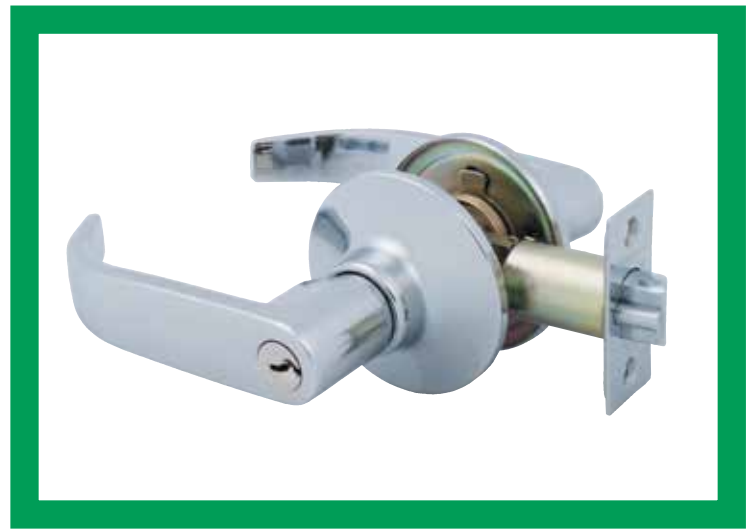
Satin Chrome	05
Bright Chrome	08

## Ordering

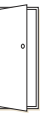
### Trade Pack

Entrance	W7351••
Passage	W7352••
Privacy	W7353••
Dummy	W5359••

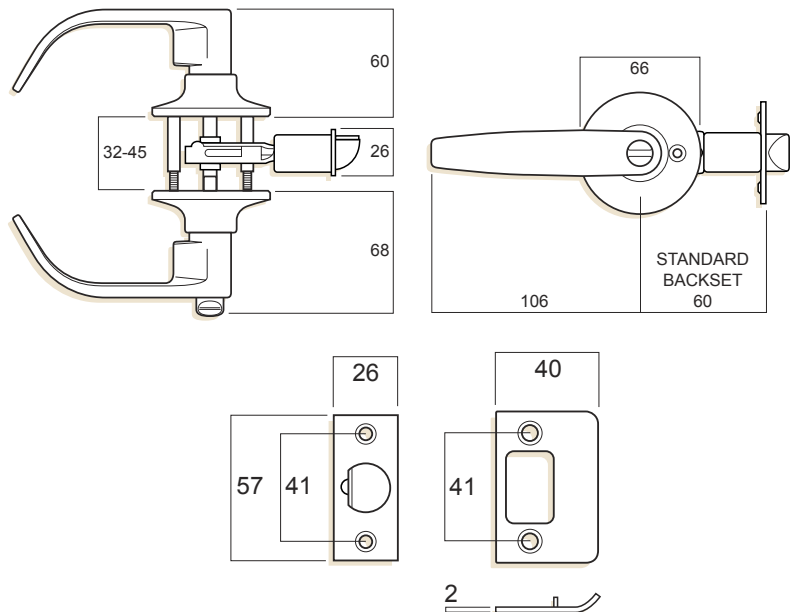
•• Denotes finish. See price list for available pack / finish combinations.



Timber



External Hinged



# Bevel Series Lever Furniture

## Application / Description

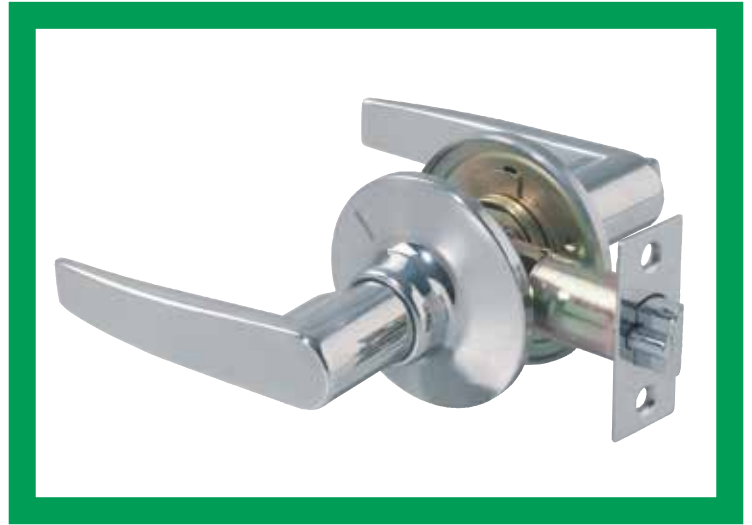
The Bevel series lever door furniture is designed for use with hinged timber doors to suit entrance, passage, privacy (bathroom) and dummy (wardrobe) functions.

## Features and Specifications

- Tubular lockset with steel chassis and diecast plated lever
- Visible screw fix mounting
- Suits either left or right handed hinged doors
- Latch is adjustable from 60 mm to 70 mm backset
- D strike has anti rattle tab
- Easy to install with mounting instructions in the pack
- Suits door thicknesses from 32 - 45 mm

## Keying

- Entrance sets are available as random keyed alike by 4
- Standard C4 keyway
- Construction keying available



Timber



External Hinged

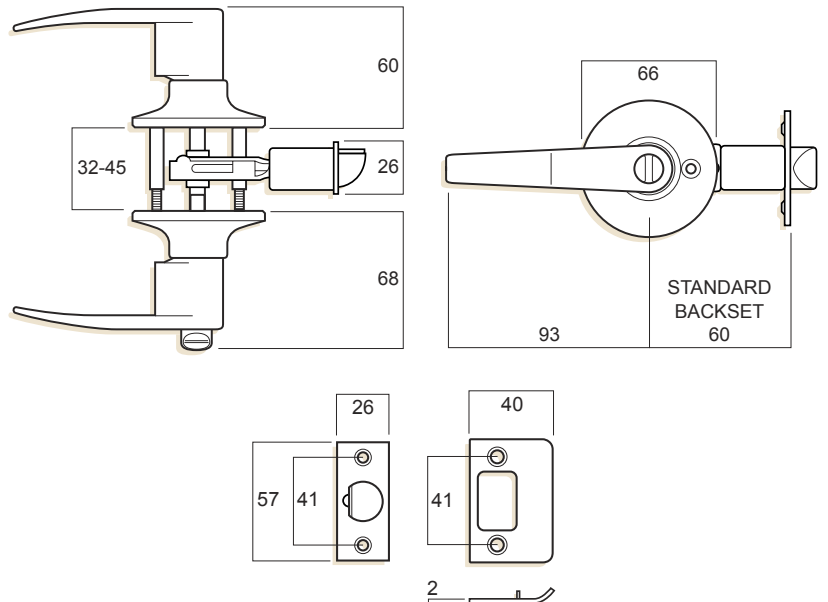
## Standard Plated Finishes

Satin Chrome	05
Bright Chrome	08

## Ordering

Trade Pack	
Entrance	W7300••
Passage	W7302••
Privacy	W7303••
Dummy	W7309••

•• Denotes finish. See price list for available pack / finish combinations.



## Whitco<sup>®</sup>

Whitco protects millions of Australian homes and offers the largest range of security and hardware products for residential doors and windows in Australia. With our proud heritage, and by offering a wide variety of locks at affordable prices, Whitco has become one of Australia's most trusted brands.

The Whitco brand is an integral part of ASSA ABLOY Australia Pty Limited, the market leader in the lock and security products industry in Australia.

## ASSA ABLOY

ASSA ABLOY is the global leader in door opening solutions, dedicated to satisfying end-user needs for security, safety and convenience.

ASSA ABLOY is represented in all major regions, in both mature and emerging markets, with leading positions in Australia, Europe and North America.

As the world's leading lock group, ASSA ABLOY offers a more complete product range of door opening solutions than any other company in the market.

**Australia**  
1300 LOCK UP (1300 562 587)  
[whitco.com.au](http://whitco.com.au)

**New Zealand**  
Telephone +64 94157111  
[assaabloy.co.nz](http://assaabloy.co.nz)

**ASSA ABLOY Australia Pty Ltd**  
235 Huntingdale Road  
Oakleigh, Victoria, 3166  
Australia

[info.au@assaabloy.com](mailto:info.au@assaabloy.com)  
[assaabloy.com.au](http://assaabloy.com.au)

**ASSA ABLOY New Zealand Ltd**  
6 Armstrong Road  
Albany, North Shore City, 0632  
New Zealand

[info.nz@assaabloy.com](mailto:info.nz@assaabloy.com)  
[assaabloy.co.nz](http://assaabloy.co.nz)

An ASSA ABLOY Group brand

**Disclaimer**  
Whilst every effort has been made to ensure that the information contained in this brochure is accurate at the time of publication, ASSA ABLOY Australia Pty Limited ("ASSA ABLOY") recommends that you consult ASSA ABLOY or its agents prior to placing an order to ascertain current information on specific products, as ASSA ABLOY reserves the right to make any changes without notice. ASSA ABLOY will not be liable for any injury, loss or damage whatsoever, arising from any errors or omissions in the information contained in the brochure or arising from the use or application of the information contained herein.