

DEADLATCH INSTALLATION INSTRUCTIONS

FOR INWARD OPENING DOORS WITH TIMBER JAMB
FOLLOW INSTRUCTIONS CAREFULLY

KEY OUTSIDE : Retracts latch bolt at all times.
KEY INSIDE : Locks or unlocks turn knob by turning key one full turn.

TURN KNOB : Retracts latch bolt when unlocked.

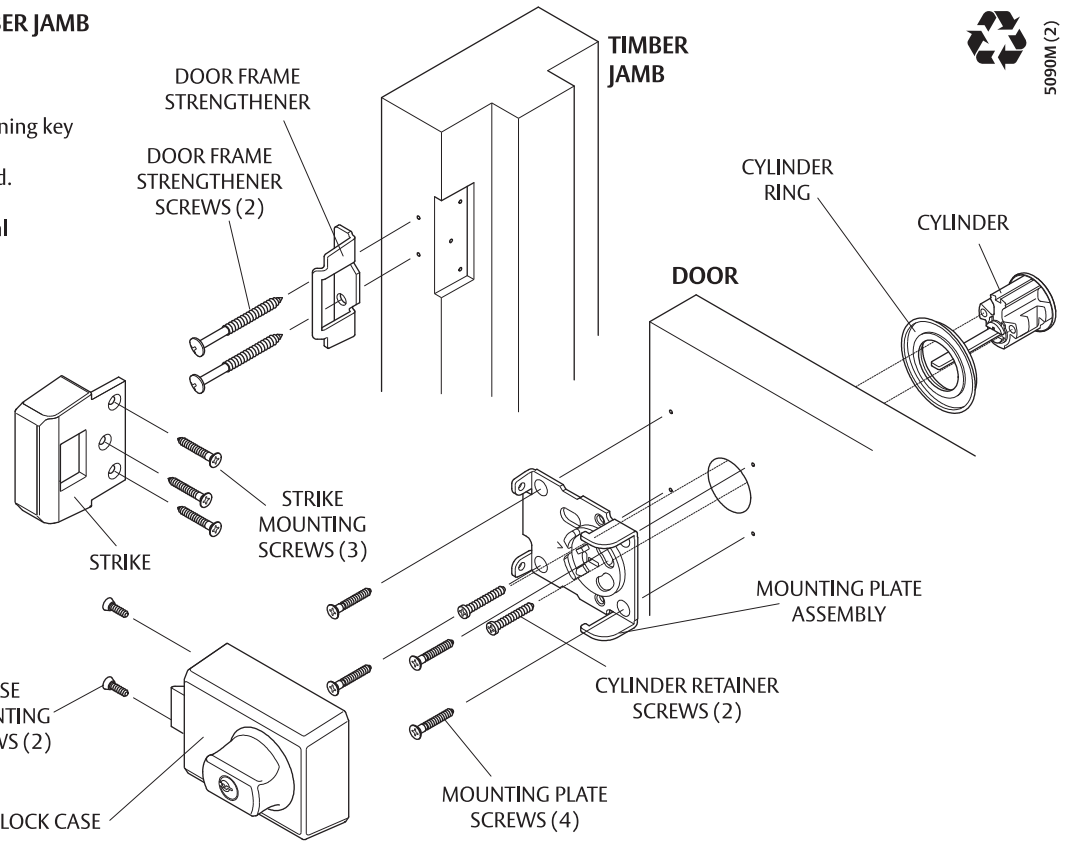
SAFETYRELEASE™
: Automatically unlocks the internal knob upon entry.

BOLT HOLD BACK WITHOUT KEY:
To engage: Rotate turn knob fully clockwise.
To release: Rotate turn knob anti-clockwise.

BOLT HOLD BACK WITH KEY:
(Prevents unauthorised "hold back" release)
To engage: Rotate turn knob fully clockwise and lock in rotated position by turning key in knob one full turn anti-clockwise.

To release: Unlock turn knob by turning key one full turn clockwise and rotate turn knob anti-clockwise.

DOOR THICKNESS : 30mm to 45mm



5090M (2)

1 Door preparation

- Select **CLOCKWISE** or **ANTI-CLOCKWISE** side of template to suit door opening direction.
- Position template and prepare door as specified on template. For **METAL JAMB** applications, drill 3 holes in jamb as specified on template. **WARNING:** Care must be taken when drilling and affixing screws to jamb. Screws must **NOT** come in contact with electrical wires in jamb.

2 Lock preparation

- Rotate turn knob **fully clockwise** to **HOLD BACK** position.
- Remove two case mounting screws from lock case.
- Take mounting plate out of lock case.

P.T.O.

Anti-Clockwise Opening Door Template

USE OTHER SIDE OF TEMPLATE FOR CLOCKWISE DOOR

THIS WAY UP

MARK & DRILL 3 HOLES
Ø4.3mm (1/16")

FOR **METAL JAMB** APPLICATION **ONLY**

LINE A

DRILL 4 HOLES
Ø3mm (1/8") x 25mm (1") Deep

DRILL Ø32mm(1 1/4") CYLINDER HOLE

INSIDE

60mm (2 3/8") BACKSET

DRILL CYLINDER HOLE FROM BOTH SIDES OF DOOR TO PREVENT SPLINTERING OF DOOR FACE

Door Frame Strengthenener Template

FOR **TIMBER JAMB** APPLICATION ONLY

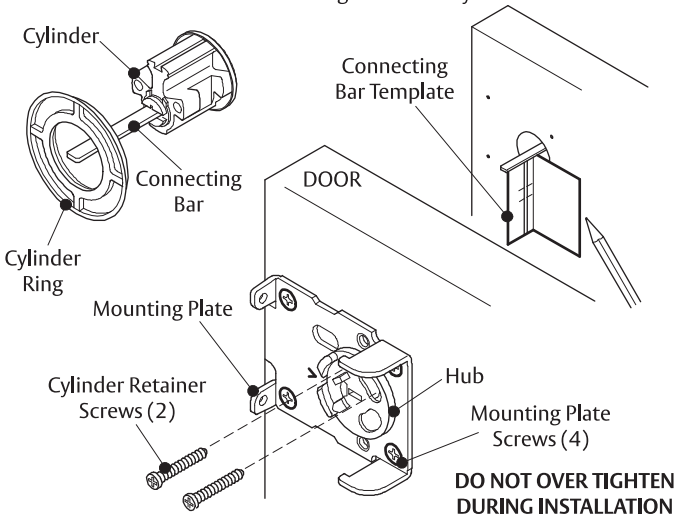
FOLD LINE

DRILL 2 HOLES
Ø5mm (3/16") x 63mm (2 1/2") Deep

TEAR OFF

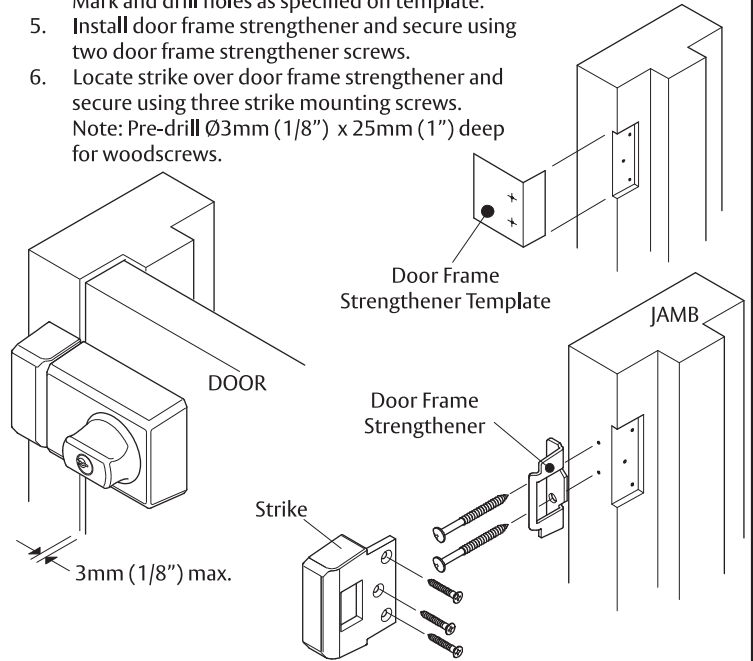
3 Install cylinder and mounting plate

1. Insert cylinder into cylinder ring and place through hole from OUTSIDE of door.
2. Fold and position CONNECTING BAR TEMPLATE as shown. Mark connecting bar between the 2 lines. Remove cylinder assembly and cut connecting bar to length. Connecting bar must NOT protrude past hub face or guarantee will be void.
3. Fix MOUNTING PLATE to door with four woodscrews supplied.
4. Align notch on hub with 'V' on mounting plate.
5. Assemble cylinder assembly in door, ensure connecting bar engages in hub slot.
6. Place rear retainer screw through slot in hub and secure cylinder assembly to door.
7. Rotate hub 90° by inserting key in cylinder and secure second retainer screw. Ensure both screws are tightened firmly.



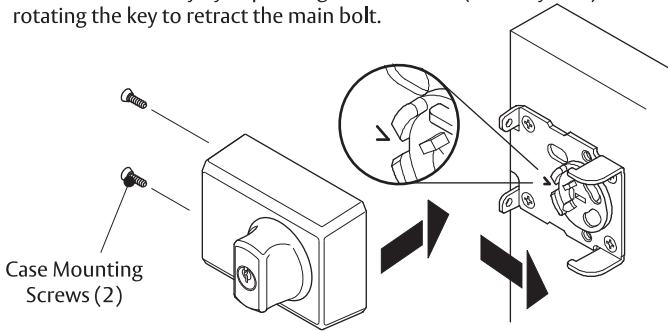
5 Install frame strengthener and strike

1. Position strike on jamb directly opposite the lock case and mark outline of strike flange on jamb edge.
2. Mortise area for flange. Depth of flange mortise determines gap. **Note:** 3mm (1/8") maximum gap between lock and installed strike.
3. Position door frame strengthener template in strike flange mortise as shown below.
4. **WARNING:** Care must be taken when drilling and affixing screws to jamb. Screws must NOT come in contact with electrical wires in jamb. Mark and drill holes as specified on template.
5. Install door frame strengthener and secure using two door frame strengthener screws.
6. Locate strike over door frame strengthener and secure using three strike mounting screws. **Note:** Pre-drill Ø3mm (1/8") x 25mm (1") deep for woodscrews.



4 Install case

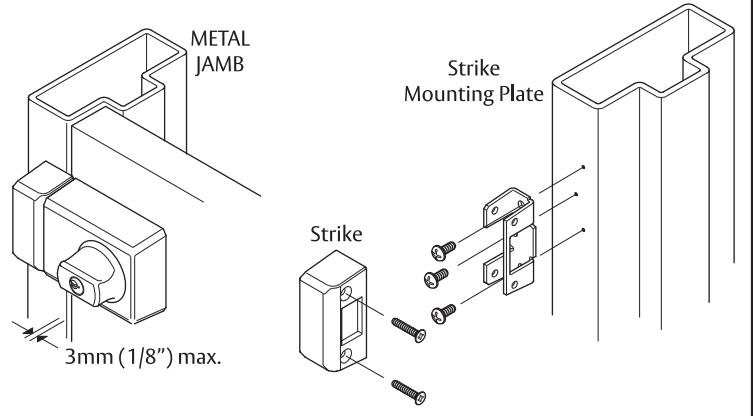
1. Rotate turnknob fully clockwise to the HOLD BACK position.
2. Ensure notch on hub is aligned with 'V' on mounting plate. With key removed from external cylinder, fit case body to mounting plate as shown.
3. Lightly tap both front corners of case to ensure it is fully home on the mounting plate.
4. Secure to mounting plate using the two case mounting screws.
5. Test entire operation of lock BEFORE CLOSING THE DOOR. It is essential to test the outer key by depressing the small bolt (auxiliary bolt) and rotating the key to retract the main bolt.



Optional metal frame strike

Install strike mounting plate and strike

1. Install strike mounting plate to jamb using three thread cutting screws.
2. Locate strike over strike mounting plate and secure using two metal thread mounting screws. **Note:** 3mm (1/8") maximum gap between lock and installed strike.



ASSA ABLOY Australia Pty Limited, 235 Huntingdale Rd, Oakleigh, VIC 3166 ABN 90 086 451 907 ©2022

Experience a safer and more open world

ASSA ABLOY

